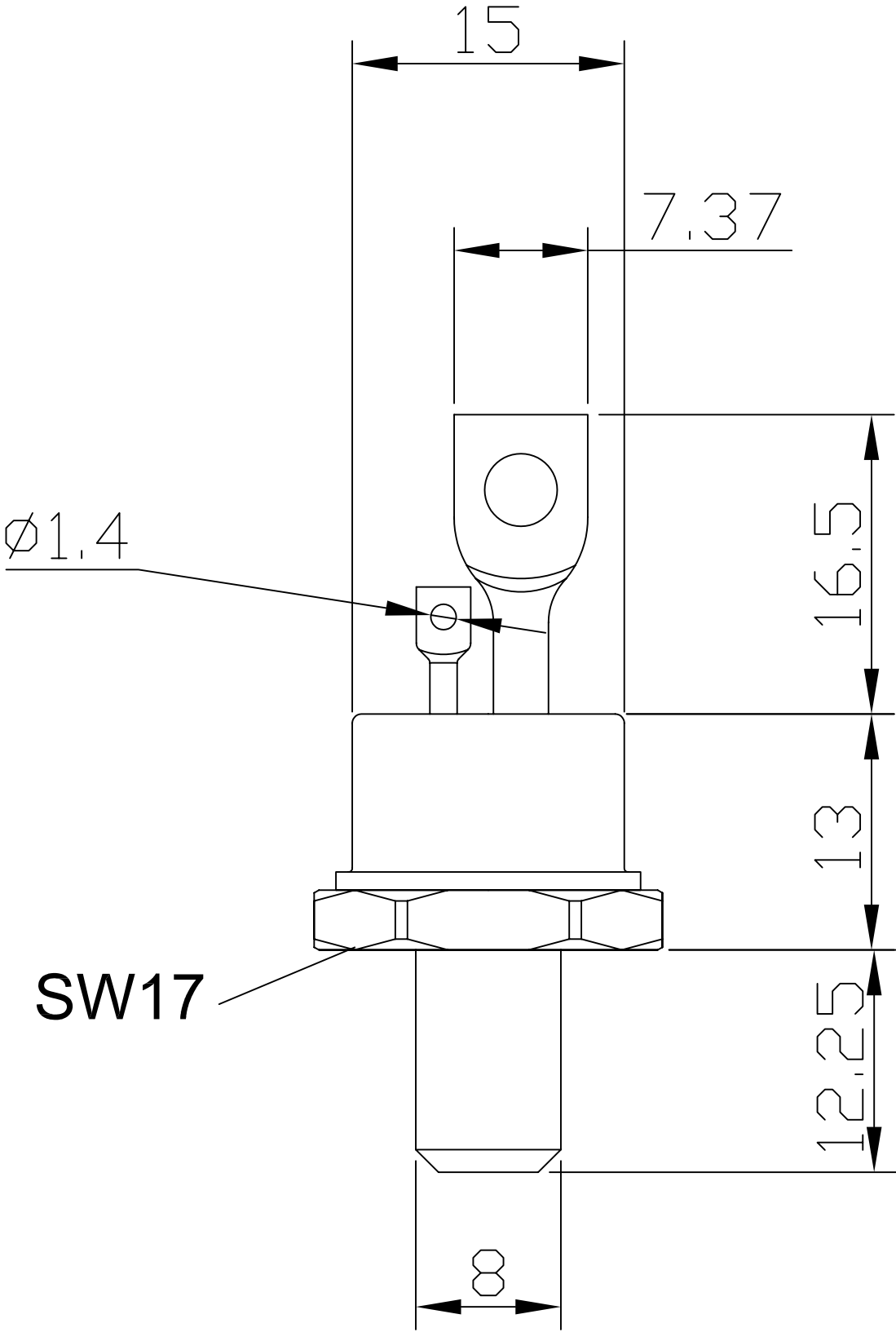


T065



SW17

M8 x 1
1/4" UNF 2A